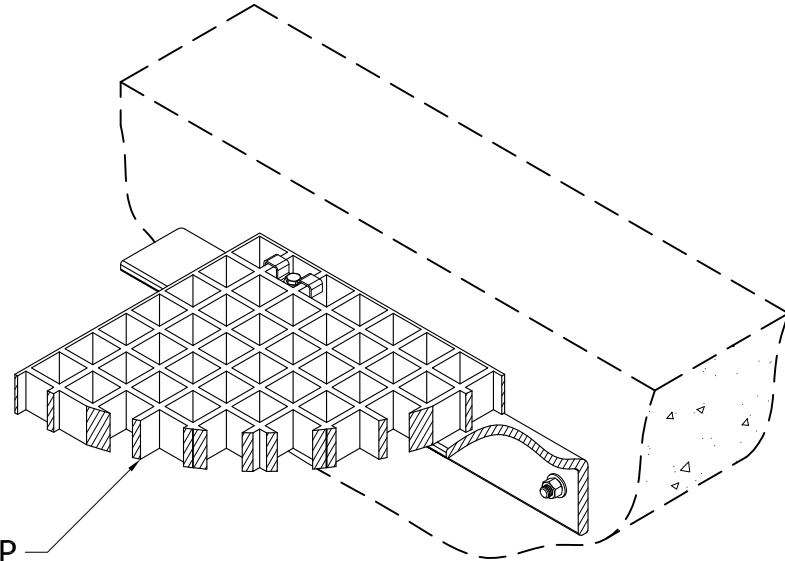
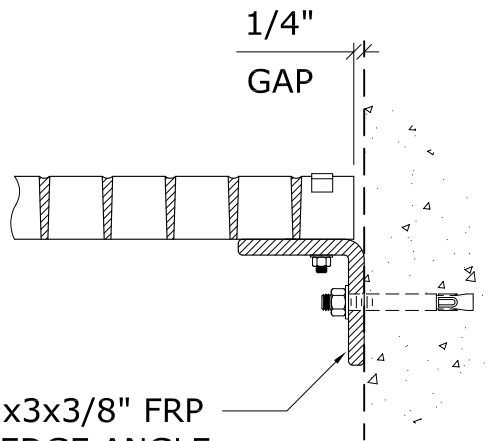


PLAN VIEW



ISOMETRIC

1 1/2" DEEP
1 1/2" SQ MESH
MOLDED GRATING



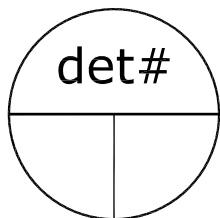
FRONT VIEW

3x3x3/8" FRP
LEDGE ANGLE

3x3x3/8" FRP LEDGE ANGLE
TO BE SHIPPED IN STOCK
LENGTHS FOR FIELD FABRICATION

3/8"Ø HILTI KWIK BOLT 3
EXPANSION ANCHOR WITH
2 1/2" MINIMUM EMBEDMENT
18" MAXIMUM ON CENTERS

ANCHORS BY OTHERS



LEDGE ANGLE - 3x3x3/8 FRP ANGLE