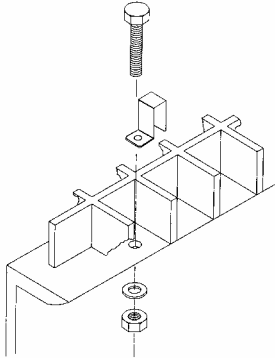


CLIP ASSEMBLIES For Molded Grating and Plate

Fibergrate offers specially-designed attachments and clips, both to fasten panels together and to secure them to support structures. All types are made of Type 316 Stainless Steel and are available in 1", 1-1/2" and 2" sizes. Install clips a maximum of every 48" and use at least four clips per piece of grating (at least eight clips per 4' x 12' panel).

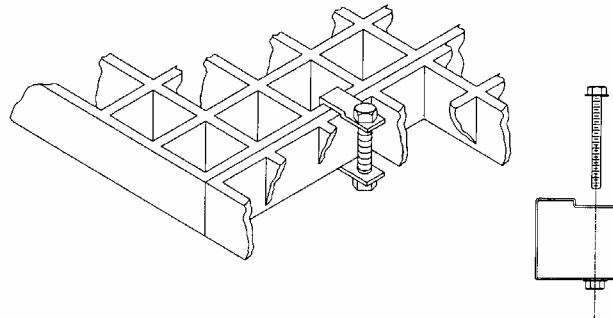
TYPE J HOLD DOWN CLIPS

To secure grating panels to support frames.



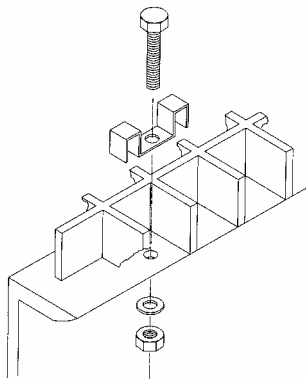
TYPE F END PANEL CLIPS

To provide a simplified method for joining factory edges of adjacent abutting panels. (Not for use with Chemgrate resins)



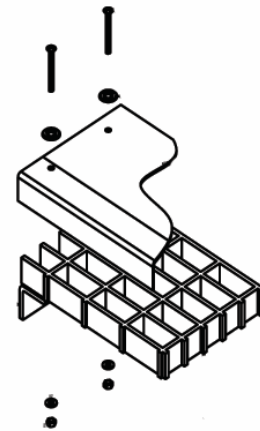
TYPE M HOLD DOWN CLIPS

To secure panels to a support in the same manner as Type J Clips, but designed to use two adjacent grating bars for a more secure fit (Similar in design to metal grating saddle clips).



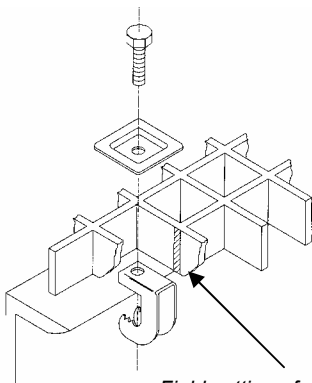
TYPE WLP STRUCTURAL CLIPS

To secure covered grating, covered stair treads, stair tread covers or plate to a structure.



TYPE G HOLD DOWN CLIPS

To attach grating to any structural member flange, 3/4" or smaller in thickness, with no drilling required.



TYPE H STRUCTURAL CLIPS

To secure plate to a structure.

