



# Pedestals for Molded Grating

*Adjustable*

*Easy Installation*

*Most Cost-Effective System*

*Light Weight*

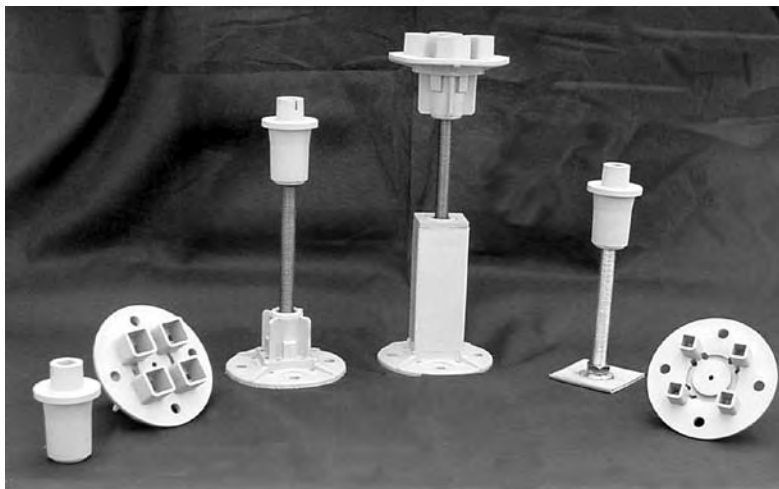
*Corrosion Resistant*

*Nonconductive*

**Fibergrate**  
Composite Structures

*High Performance Composite Solutions*

# Molded Grating Pedestals



For more than 30 years, Fibergrate customers have been taking advantage of the benefits offered by using Fibergrate's grating pedestals to create elevated flooring. Now these pedestal offerings have been improved to offer more adjustability for added grating configurations. Fibergrate's state-of-the-art grating pedestals are now offered for both Fibergrate® and Chemgrate® square mesh molded gratings in depths of 1", 1-1/2" and 2". This increased offering provides more flexibility in designing your raised flooring application as economically as possible.



Made with the same quality as all Fibergrate products, these specially designed pedestals are manufactured to provide safe support for elevated flooring. Pedestal supported floors are versatile; they can be modified or moved from place to place as necessary and pedestals are generally more cost effective than beam support systems. Pedestals take full advantage of the bidirectional strength of square mesh molded gratings, eliminating additional costs of structural shapes, drafting, fabrication and installation.

Adjustable pedestals are available in heights from 3-1/4" to 42" (*up to 72" with additional bracing - contact Fibergrate for more information*). Pedestals are available with single heads for 1-1/2" and 2" square mesh grating and quad heads (for panel abutments and corners) to fit either Fibergrate® or Chemgrate® brand square mesh molded gratings. The ease of adjustability of the pedestals will save installation time on sloped floors. Single heads can be adjusted from atop the grating with a 1/2" drive socket, dramatically decreasing time spent during the leveling process, especially in floors under 18" high or where obstructions are present. Reference pages 7 - 11 for layouts and page 4 for pedestal configurations and part numbers needed.

These injection-molded, fire-retardant, glass-filled grating pedestals are low maintenance, as are all of Fibergrate's products, providing excellent corrosion resistance. They are designed to be resistant to most industrial wet floor applications such as plating, clean rooms and wash down areas.

## Fibergrate Markets

- Architectural
- Bridge & Highway
- Chemical
- Commercial
- Food & Beverage
- Manufacturing
- Metals & Mining
- Microelectronics
- Oil & Gas
- Offshore
- Pharmaceutical
- Power
- Pulp & Paper
- Recreation
- Telecommunications
- Transportation
- Water & Wastewater

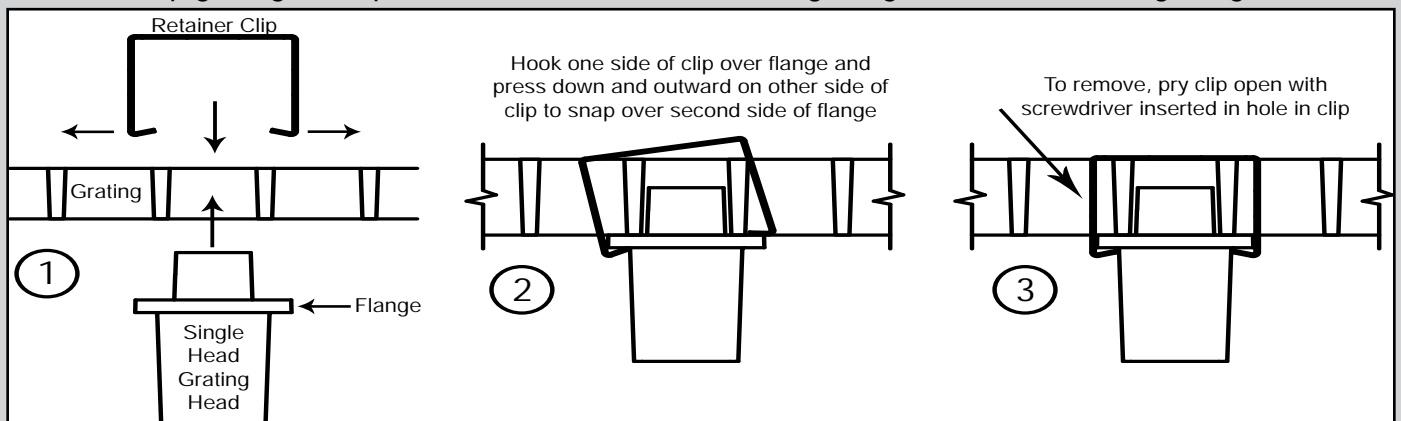
# Pedestal Features



- **Adjustable** - Can be installed to create a level walking surface even on sloped floors. Adjustable pedestals are available in a selection of designs ranging in height from 3-1/4" to 42". Single head legs, used in center of large panels, are designed to be adjusted from the walking surface - eliminating the need to access from underneath.
- **Versatile** - Uniquely designed system can be used with all depths of both Fibergrate and Chemgrate square mesh grating.
- **Easy Installation** - Efficient design affords quick adjustment and simple installation layouts. Lightweight pedestals and grating can be installed without heavy lifting and fewer people. The system does not require floor penetrations.
- **Most Cost-effective System** - Economical way of providing a raised flooring structural support system. Compared to standard braced support systems, Fibergrate's pedestals maintain the lowest installed cost for elevated flooring. The elements can be easily repositioned as required for new layouts and designs.
- **Lightweight** - Modular concept and lighter weight component materials promote faster installation with fewer laborers and no lifting equipment.
- **Corrosion Resistant** - Made with thermoplastic polyester and pultruded vinyl ester parts, pedestals are designed to be resistant to most industrial wet floor applications for long service life.
- **Nonconductive** - FRP pedestal support heads provide electrical insulation from the supporting surface making the system safer for workers.

## Single Head Pedestal Retaining Clips

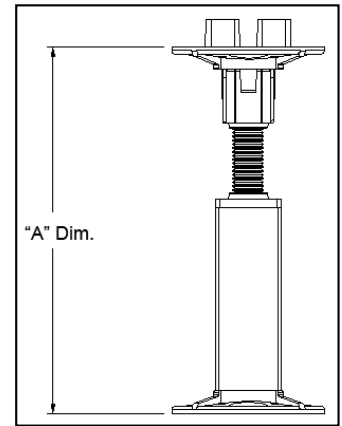
For 1" deep grating order part number #577220, for 1-1/2" grating #577230, or for 2" grating #577240



# Pedestal Selection Procedure

1. Use the layouts given on pages 7 through 11 and select the required grating and pedestal layout based on the grating depth, the most efficient panel utilization, and the load and deflection requirements for your installation. Refer to the project specifications for loading and deflection requirements. If designing for pedestrian loads, use the layout for 50 psf (pounds per square foot)/300 lb point loads. If your requirements differ from the ones listed, contact Fibergrate for assistance.
2. Following this layout, sketch a plan view of the installation that shows the grating panels and the pedestals, indicating which pedestals have single heads and which have quad heads. Fibergrate® gratings require the Fibergrate® Quad head and Chemgrate® gratings require the Chemgrate® Quad head. The 1-1/2" Single Head works for 1-1/2" square mesh gratings of either brand and the 2" Single Head works for 2" square mesh gratings of either brand.
3. Determine the maximum and minimum 'A' dimension of the grating installation. The 'A' dimension is the distance from the bottom of the grating to the floor. There is not an adjustable pedestal for 'A' dimensions of

less than 3-1/4". If your A dimension requirement is less than 3-1/4", alternate solutions such as fixed height legs or rubber feet may be possible. Contact Fibergrate for assistance in developing a support system for your application.

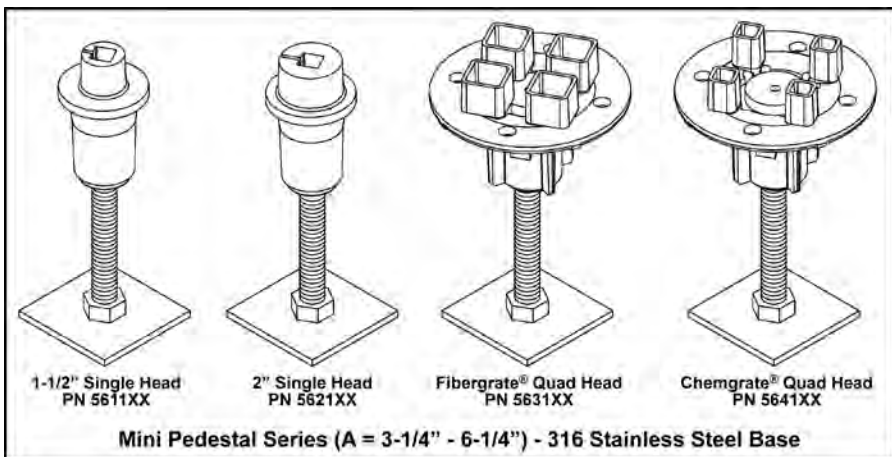


4. Once you have completed your layout and know the lengths of your pedestals and which heads you require, use the chart below to select part numbers for your order. It may be necessary to use several different pedestal heights for a given installation. For example, if the 'A' dimension of your installation ranges from 14 to 20 inches, two heights of pedestals are required. Note that all of the adjustment ranges overlap by from 1" to 3" so that there is some flexibility built in for errors in height measurements or pedestal counts.

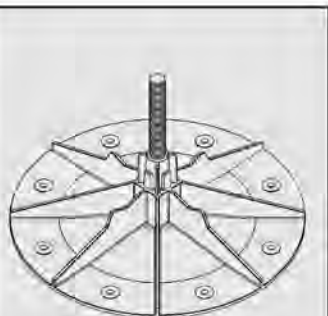
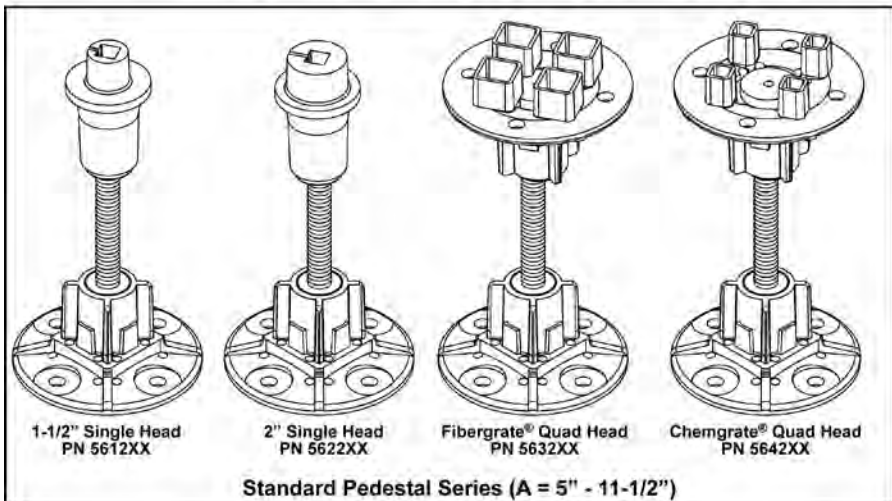
Pedestal Configuration	'A' Range		Total Adjustment	Head			
				Single Head		Quad Head	
	Min.	Max.		1-1/2"	2"	Fibergrate®	Chemgrate®
Mini Base	3-1/4"	4-3/4"	1-1/2"	561103	562103	563103	564103
	4"	5-1/2"	1-1/2"	561104	562104	563104	564104
	4-3/4"	6-1/4"	1-1/2"	561105	562105	563105	564105
Standard 5" Base	5"	7-3/4"	2-3/4"	561205	562205	563205	564205
	6-3/4"	9-1/2"	2-3/4"	561207	562207	563207	564207
	8-3/4"	11-1/2"	2-3/4"	261209	562209	563209	564209
Extended 5" Base	9-1/2"	14"	4-1/2"	561310	562310	563310	564310
	12"	18"	6"	561312	562312	563312	564312
	15"	21"	6"	561315	562315	563315	564315
	18"	24"	6"	561318	562318	563318	564318
	21"	27"	6"	561321	562321	563321	564321
	24"	30"	6"	561324	562324	563324	564324
	27"	33"	6"	561327	562327	563327	564327
	30"	36"	6"	561330	562330	563330	564330
	33"	39"	6"	561333	562333	563333	564333
36"	42"	6"	561336	562336	563336	564336	

Note: Available to 72" - contact Fibergrate for more information on extended lengths and bracing

# Pedestal Drawings

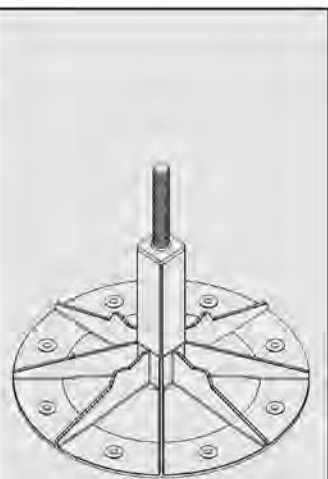
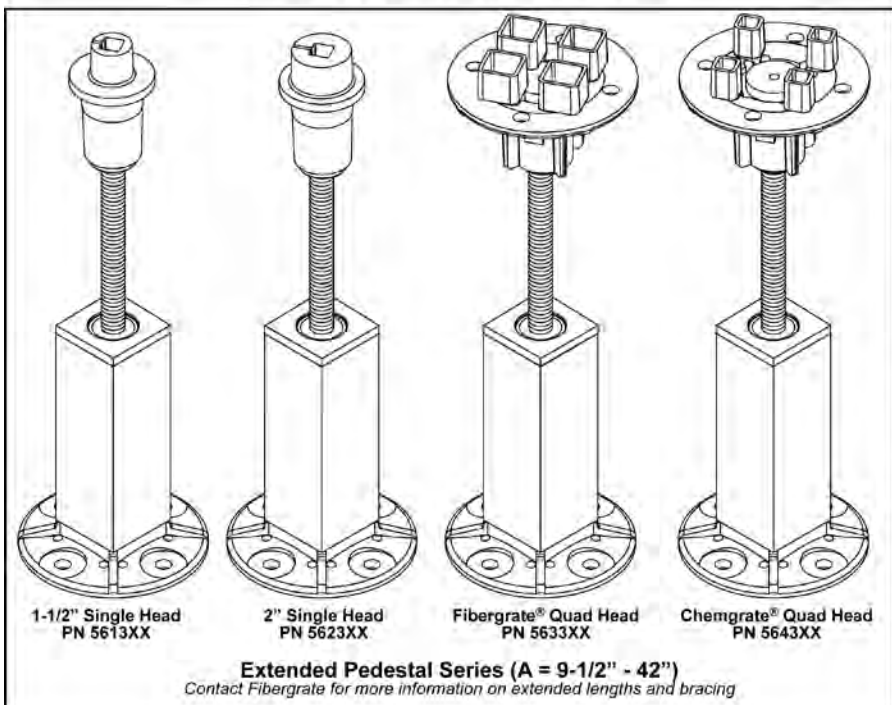


XX Denotes Leg Height  
Refer to Chart on page 4



18" Standard Base

Available In All 4  
Head Styles  
Call Fibergrate for more  
information



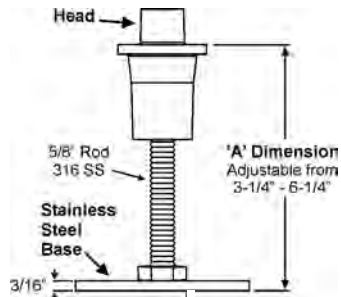
18" Extended Base

Available In All 4  
Head Styles  
Call Fibergrate for more  
information

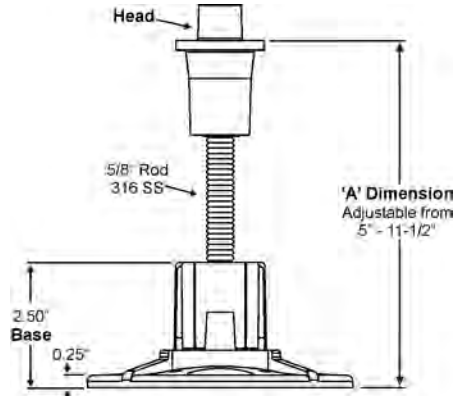
# Pedestal Drawings

## Pedestals

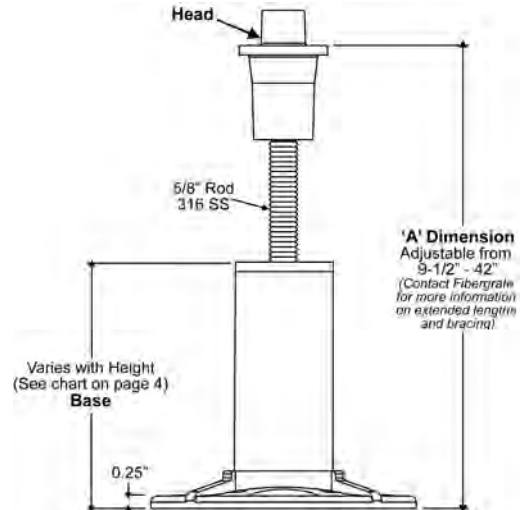
(Shown with Single Head)



Mini Pedestal Elevation

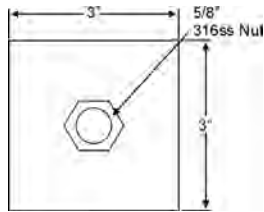


Standard Pedestal Elevation

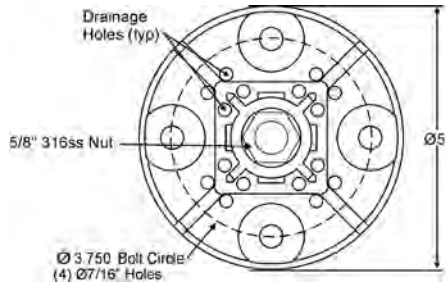


Extended Pedestal Elevation

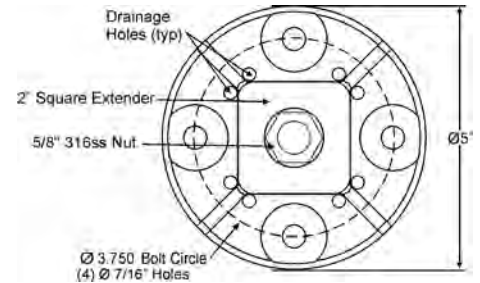
## Bases



Mini Pedestal Base Plan

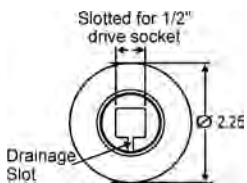


Standard Pedestal Base Plan

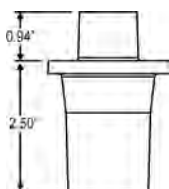


Extended Pedestal Base Plan

## Heads

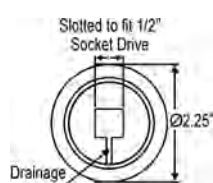


Plan

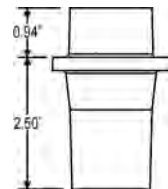


Elevation

1-1/2" Square Mesh Single Head

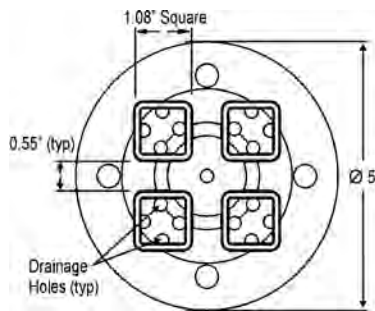


Plan

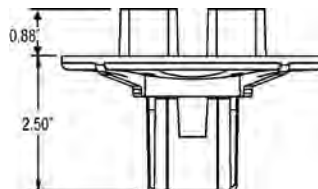


Elevation

2" Square Mesh Single Head

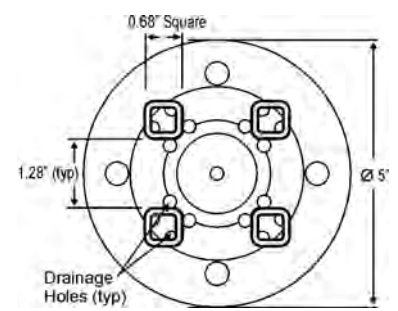


Plan

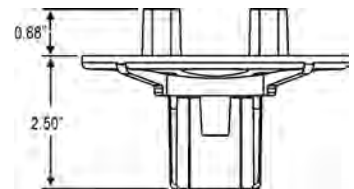


Elevation

Fibergrate® Quad Head



Plan

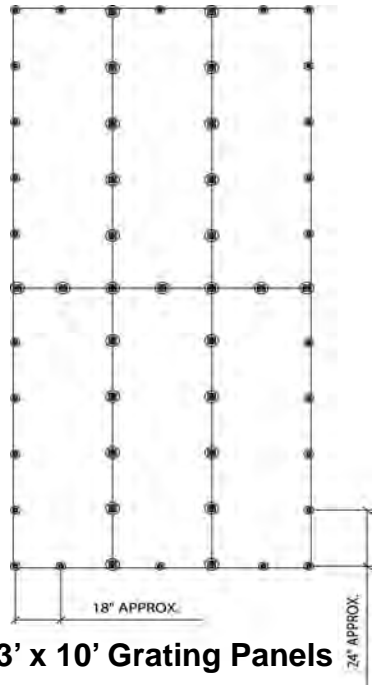
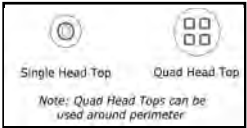
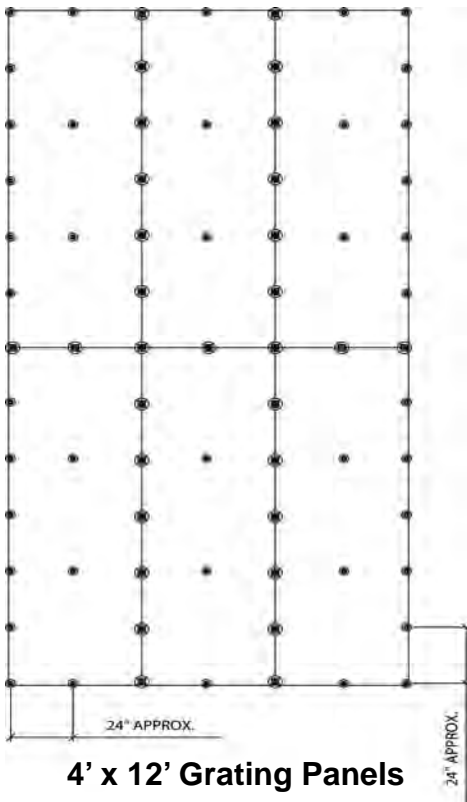
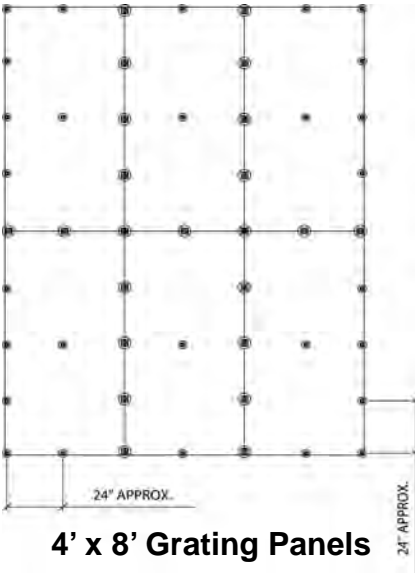


Elevation

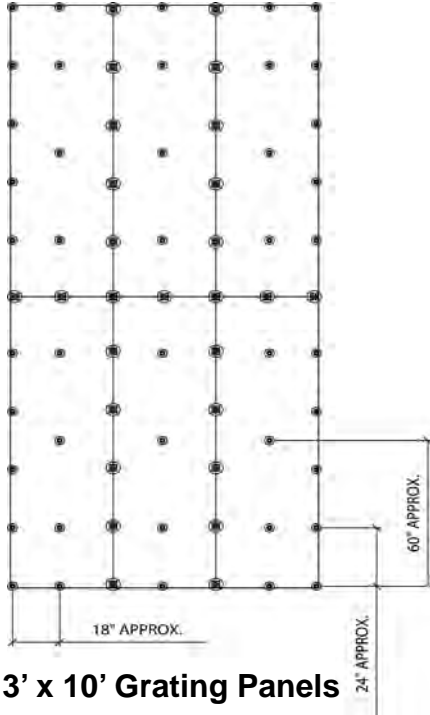
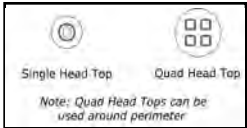
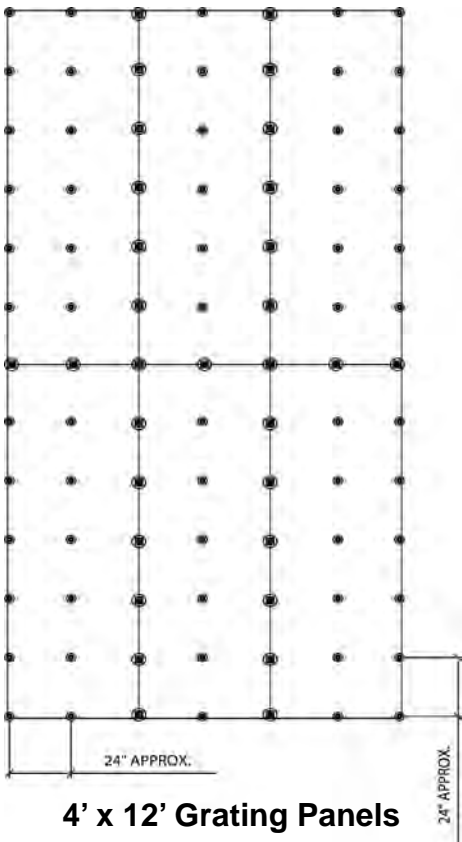
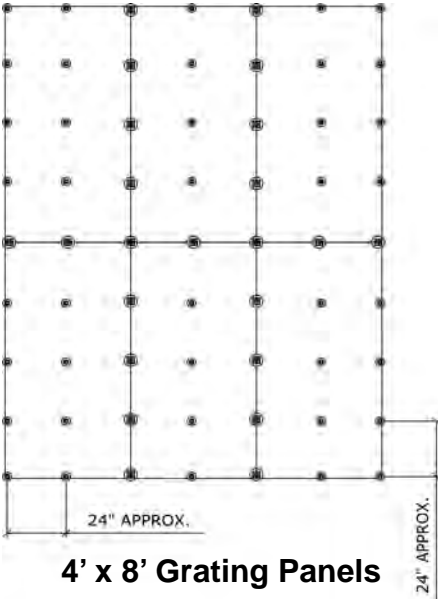
Chemgrate® Quad Head

# Pedestal Layouts

1" deep x 1-1/2" square mesh  
 Pedestrian Traffic Support  
 50 psf or 300-lb concentrated load  
 deflection  $\leq 0.375"$

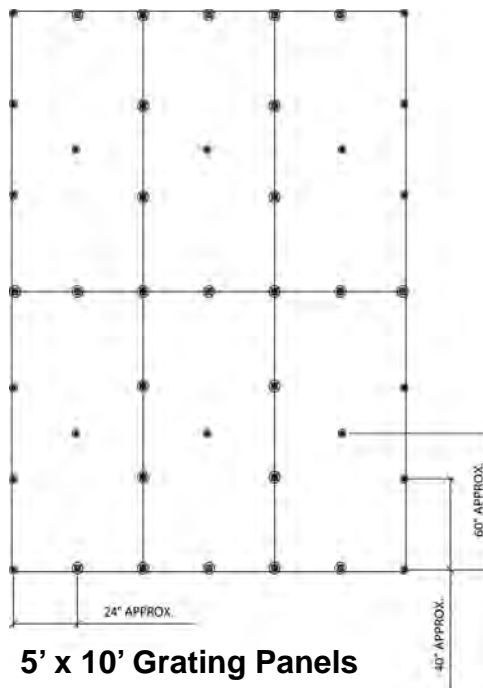
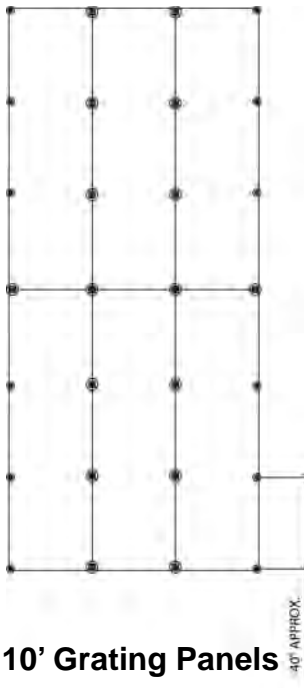
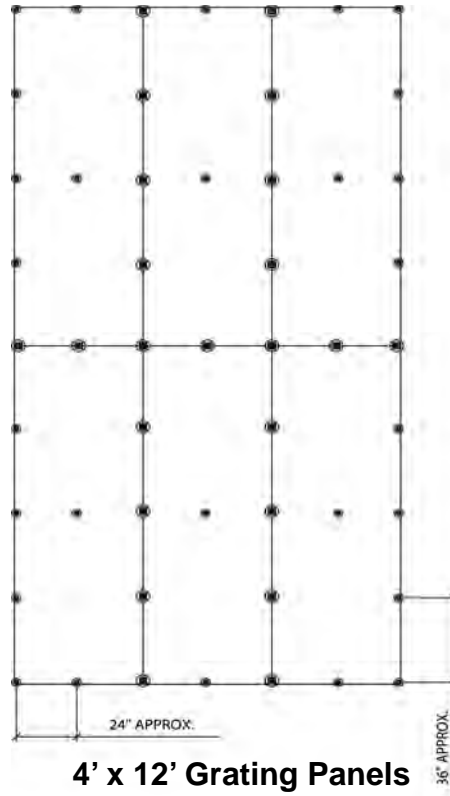
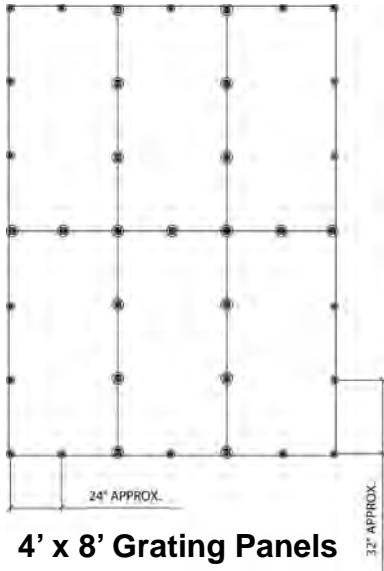
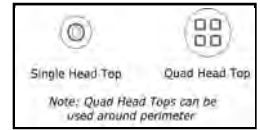


1" deep x 1-1/2" square mesh  
 100 psf  
 deflection  $\leq 0.25"$



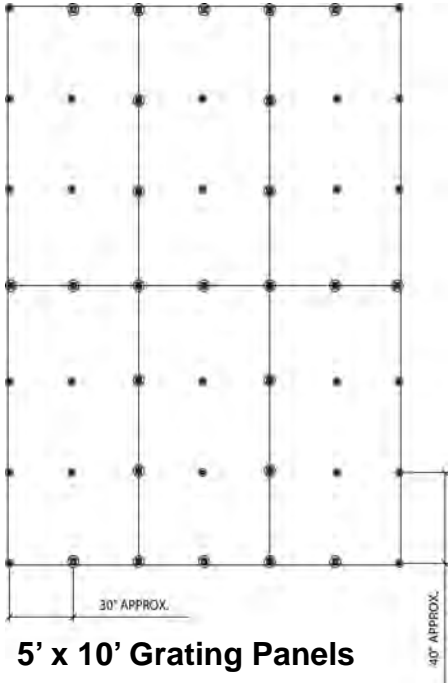
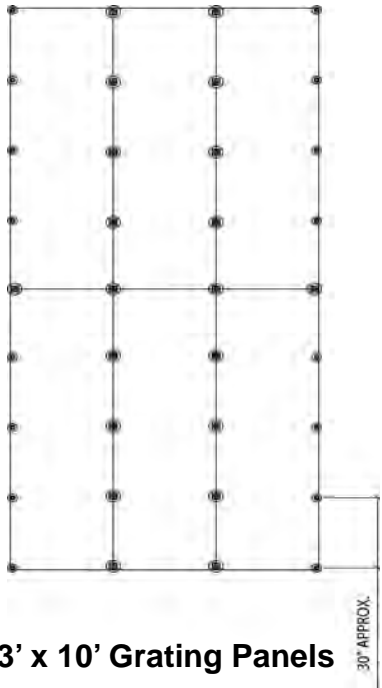
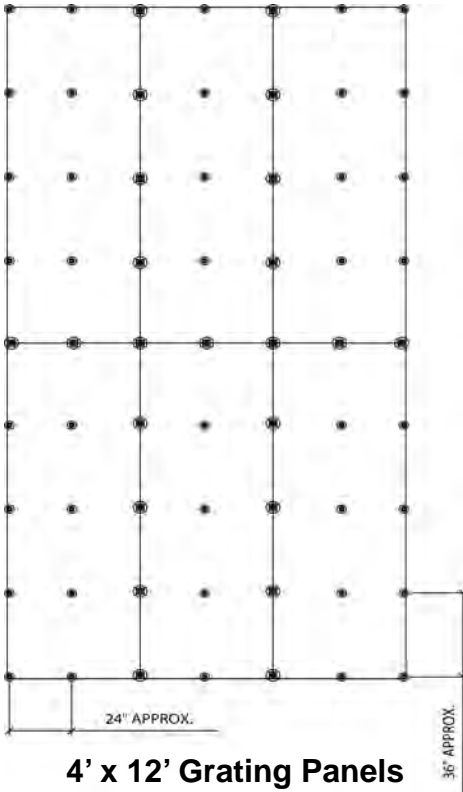
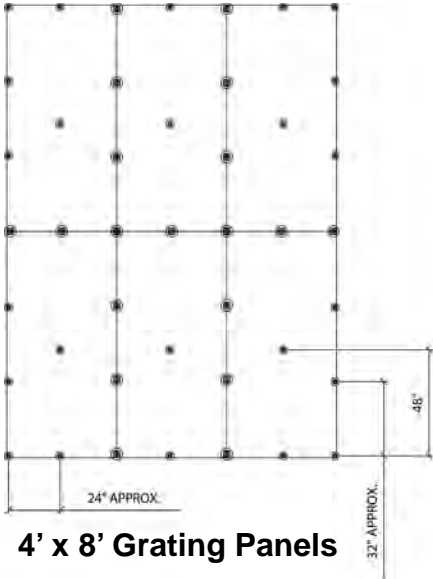
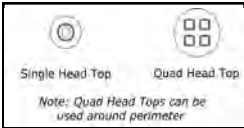
# Pedestal Layouts

1-1/2" deep x 1-1/2" square mesh  
 Pedestrian Traffic Support  
 50 psf or 300-lb concentrated load  
 deflection  $\leq 0.375"$



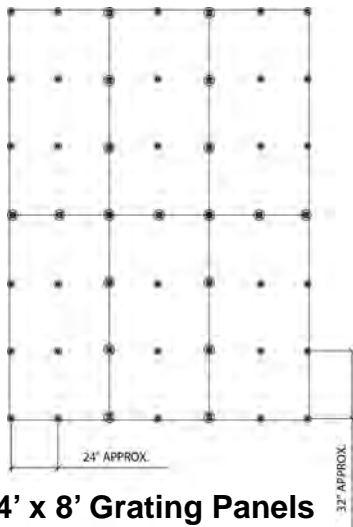
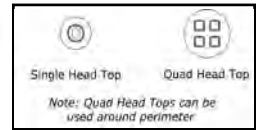
# Pedestal Layouts

1-1/2" deep x 1-1/2" square mesh  
 100 psf  
 deflection  $\leq 0.25"$

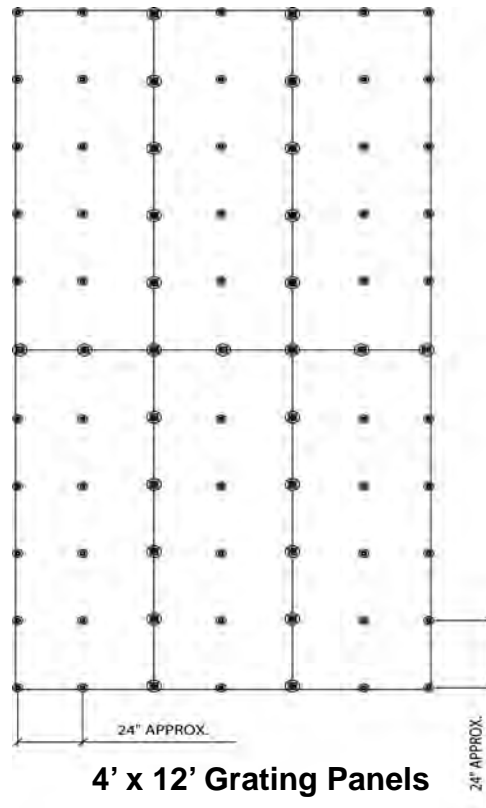


# Pedestal Layouts

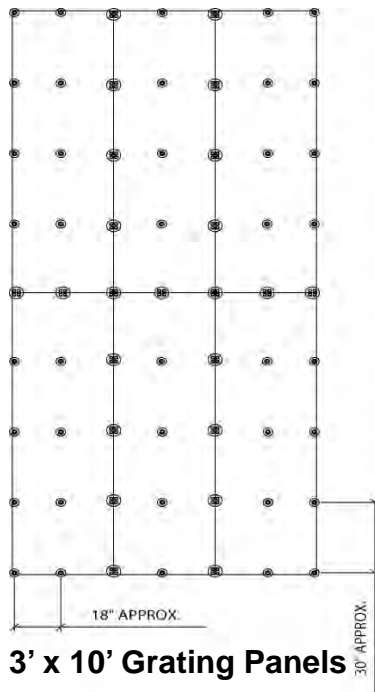
1-1/2" deep x 1-1/2" square mesh  
 200 psf  
 deflection  $\leq 0.25"$



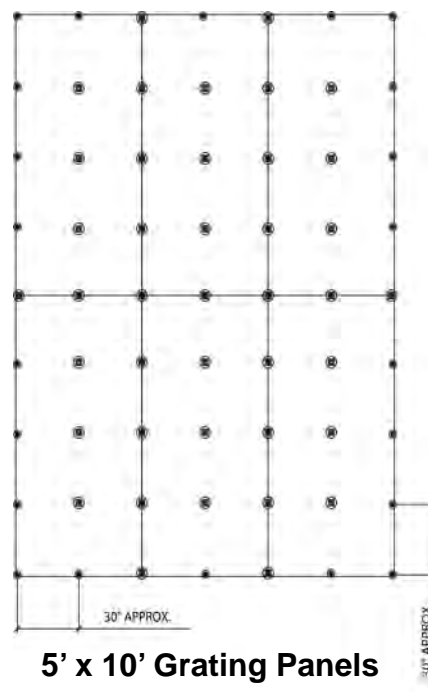
**4' x 8' Grating Panels**



**4' x 12' Grating Panels**



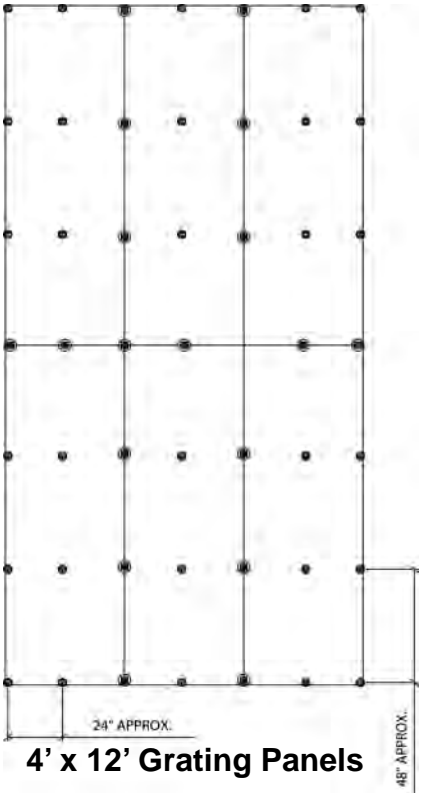
**3' x 10' Grating Panels**



**5' x 10' Grating Panels**

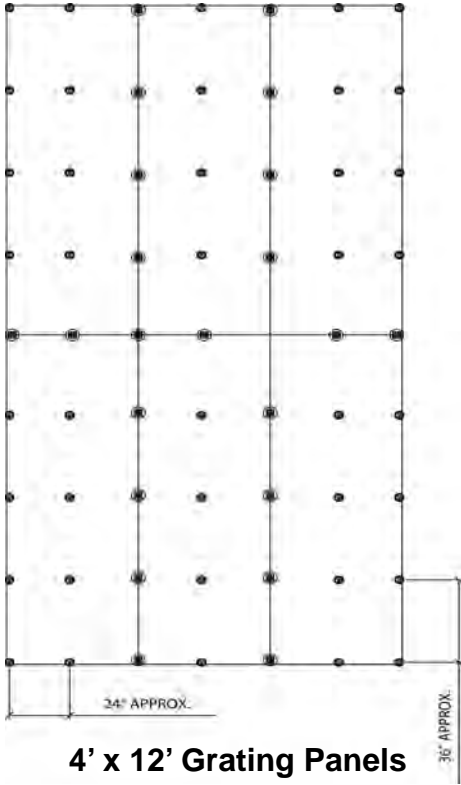
# Pedestal Layouts

2" deep x 2" square mesh  
 100 psf  
 deflection  $\leq 0.25"$

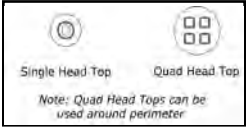


4' x 12' Grating Panels

2" deep x 2" square mesh  
 200 psf  
 deflection  $\leq 0.25"$



4' x 12' Grating Panels



## Installation Tips

Due to its versatility, there is a wide variety of applications for Fibergrate's grating pedestal system; therefore, installation will vary depending on the specific application. Thought and planning are the key ingredients to a smooth and trouble-free installation.

- Step 1** Survey area to be covered with pedestal support system. Plan a starting and ending point. (Typically, areas are started in the corner containing the longest straight edge of the surface to be covered.)
- Step 2** Assemble the leg components received according to height required to provide a level support system and place adjacent to the first row of grating to be installed.
- Step 3** Install pedestals according to the layouts and load specifications provided on pages 7 - 11 of this brochure.
- Step 4** Adjust grating pedestals of first row of grating panels to create a level walking surface by rotating the bases or the quad heads under the grating by hand

and the single heads with a 1/2" drive socket from walking surface. *Take care not to adjust beyond the red maximum adjustment mark on the stainless steel adjustment rod.*

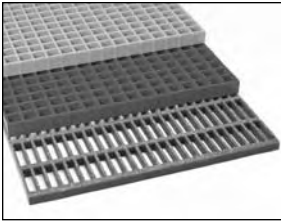
- Step 5** Layout second grating panel row to be installed. Connect second row to first using the exposed portion of the quad heads. Continue installing row two according to Steps 3 - 4.
- Step 6** Repeat steps 3 - 5 until installation is complete. Trimming of panels on last row is normally required for close fit.

### Installation Notes:

1. Most contractors find the use of a laser level significantly speeds the leveling process during installation.
2. Fibergrate grating pedestal system is designed to provide structural support for walking surface; however, lateral support should be provided through attachment to adjacent equipment or containing the grating within perimeter walls of grating layout area.

*For single head retainer clip instructions, see page 3.*

# Fibergrate Products and Services



## Fibergrate® Molded Grating

Fibergrate molded gratings are designed to provide the ultimate in reliable performance, even in the most demanding conditions. Fibergrate offers the widest selection in the market with more than ten resins including Chemgrate CP-84 and more than twenty grating configurations available in many panel sizes and surfaces.

## RIGIDEX® Moltruded® Grating

RIGIDEX Moltruded gratings are the first fiberglass gratings to combine the corrosion resistance of molded grating with the longer span capacity of pultruded grating, all at the low cost of metal gratings.



## Safe-T-Span® Pultruded Industrial and Pedestrian Gratings

Combining corrosion resistance, long-life and low-maintenance designs, Safe-T-Span provides unidirectional strength for industrial and pedestrian pultruded grating applications.

## Dynarail® Handrail

Easily assembled from durable prefabricated components or engineered to your specifications, Dynarail handrail meets or exceeds OSHA and strict building code requirements for safety and design.

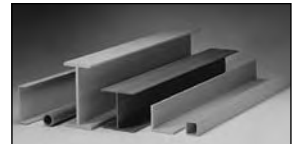


## Dynarail® Safety Ladder System

Easily assembled on site, Dynarail safety ladder systems meet or exceed OSHA requirements. Though less costly than prefabricated ladder systems, these safety ladders provide a custom fit to the supporting structure.

## Dynaform® Structural Shapes

Fibergrate offers a wide range of pultruded structural components for industrial use, including bars, rods, tubes, beams, channels, leg angles and plates.



## Stair Solutions

Fibergrate offers a wide range of slip-resistant products to meet your stair safety needs. These durable products which include treads, tread covers and covered stair treads are a long-term, cost-efficient solution for your facility.

## Fabrication Services

Combining engineering expertise with an understanding of fiberglass applications, Fibergrate provides turnkey design and fabrication of fiberglass structures, including platforms, catwalks, stairways and test racks.

