


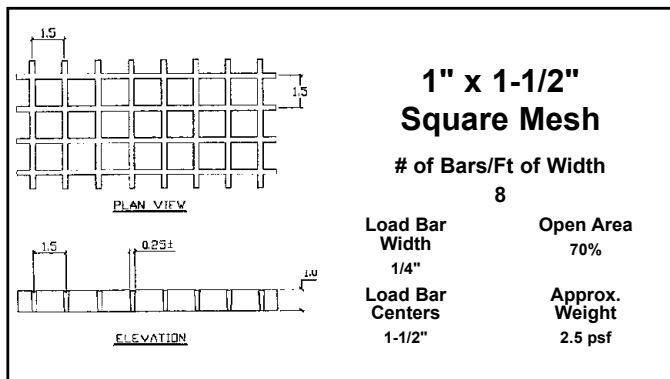


# Molded Grating Selection and Details

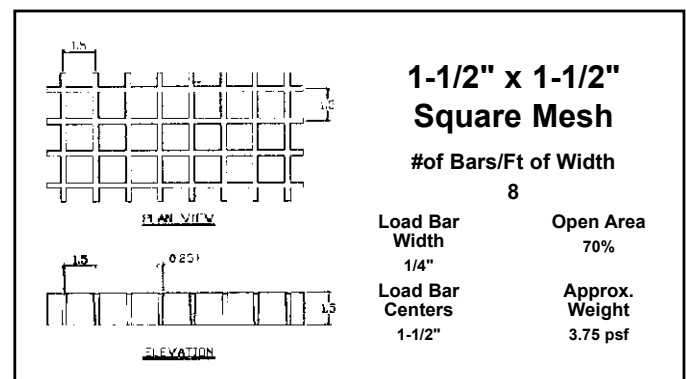
## Fibergrate® and Chemgrate® Molded Grating

| Brand   | Depth  | Mesh                           | Standard Panel Sizes                                  | Wt. Per Sq. Ft. | Open Area |
|---|--------|--------------------------------|---|-----------------|-----------|
| AirMesh®  | 1/2"   | 1-1/2" x 1-1/2" square         | 4' x 8' ( <i>non-load carrying product</i> )          | 0.8 lb          | 87%       |
| Multigrid®  | 1/2"   | 2" x 2" square                 | 4' x 12', 4' x 15' ( <i>must be fully supported</i> ) | 1.0 lb          | 82%       |
| Chemgrate   | 5/8"   | 1" x 4" rectangular            | 12' x 4'  | 2.1 lb          | 58%       |
| Fibergrate  | 3/4"   | 1" x 4" rectangular            | 10' x 3', 8' x 4'                                     | 2.5 lb          | 69%       |
| Fibergrate  | 3/4"   | 1-1/2" x 1-1/2" square         | 3' x 10', 4' x 8', 4' x 12'                           | 2.0 lb          | 70%       |
| Fibergrate  | 1"     | 1" x 4" rectangular            | 10' x 3', 8' x 4'                                     | 2.5 lb          | 69%       |
| Fibergrate  | 1"     | 1-1/2" x 1-1/2" square         | 3' x 10', 4' x 8', 4' x 12'                           | 2.5 lb          | 70%       |
| Chemgrate   | 1"     | 1" x 4" rectangular standard   | 12' x 4', 12' x 3'-1/4"                               | 2.7 lb          | 65%       |
| Chemgrate   | 1"     | 1" x 4" rectangular heavy duty | 12' x 4'  | 3.4 lb          | 52%       |
| Chemgrate   | 1"     | 2" x 2" square                 | 4' x 12'  | 1.7 lb          | 76%       |
| Fibergrate  | 1-1/4" | 1-1/2" x 1-1/2" square         | 3' x 10', 4' x 8', 4' x 12', 5' x 10'                 | 3.2 lb          | 70%       |
| Fibergrate  | 1-1/2" | 1-1/2" x 1-1/2" square         | 3' x 10', 4' x 8', 4' x 12', 5' x 10'                 | 3.7 lb          | 70%       |
| High Load    | 1-1/2" | 1" x 2" rectangular            | 6' x 4'   | 6.2 lb          | 48%       |
| Micro-Mesh®  | 1-1/2" | Top 3/4" sq Btm 1-1/2" sq      | 2' x 2'   | 5.0 lb          | 44%       |
| Chemgrate   | 1-1/2" | 1-1/2" x 1-1/2" square         | 4' x 12'  | 3.5 lb          | 69%       |
| Chemgrate   | 1-1/2" | 1-1/2" x 6" rectangular        | 12' x 4'  | 3.4 lb          | 67%       |
| Fibergrate  | 2"     | 2" x 2" square                 | 4' x 12'  | 4.0 lb          | 72%       |
| High Load    | 2"     | 1" x 2" rectangular            | 6' x 4'   | 8.4 lb          | 48%       |
| Chemgrate   | 2"     | 2" x 2" square                 | 4' x 12'  | 4.1 lb          | 72%       |

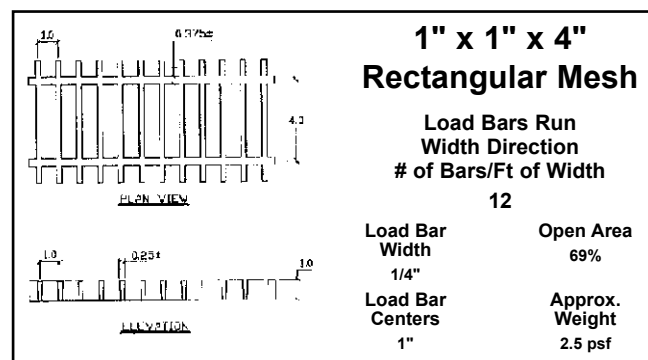
## Fibergrate® Grating Details



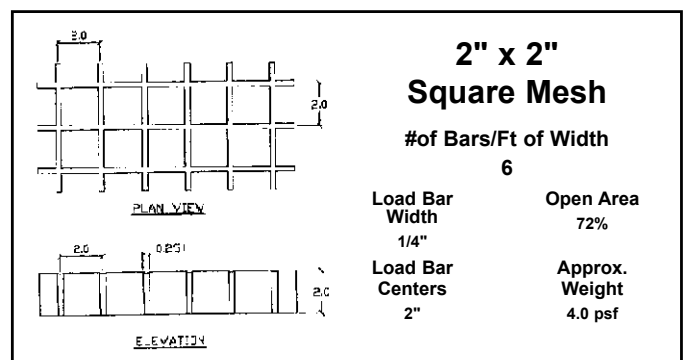
**ENGINEERING PROPERTIES PER FT OF WIDTH**  
 A = 1.71 IN<sup>2</sup> I = 0.14 IN<sup>4</sup> S = 0.29 IN<sup>3</sup> AVERAGE EI = 300,000 lb - in<sup>2</sup>



**ENGINEERING PROPERTIES PER FT OF WIDTH**  
 A = 2.85 IN<sup>2</sup> I = 0.51 IN<sup>4</sup> S = 0.65 IN<sup>3</sup> AVERAGE EI = 900,000 lb - in<sup>2</sup>



**ENGINEERING PROPERTIES PER FT OF WIDTH**  
 A = 2.57 IN<sup>2</sup> I = 0.22 IN<sup>4</sup> S = 0.43 IN<sup>3</sup> AVERAGE EI = 513,000 lb - in<sup>2</sup>



**ENGINEERING PROPERTIES PER FT OF WIDTH**  
 A = 2.88 IN<sup>2</sup> I = 0.96 IN<sup>4</sup> S = 0.94 IN<sup>3</sup> AVERAGE EI = 1,950,000 lb - in<sup>2</sup>

# Molded Grating Resins

## Resin Systems

Corrosion in the workplace negatively impacts your bottom line. Each year, industrial plant executives eliminate expensive corrosion-related maintenance problems by switching to Fibergrate molded grating. Various applications present different requirements so Fibergrate has more than ten standard resin systems (the most in the industry) including the new FGI-AM (food grade isophthalic polyester antimicrobial) available in both Fibergrate and Chemgrate Resins.

## Fibergrate® Resins

- **Vi-Corr®** - A superior vinyl ester resin developed for reliable performance in the toughest environments. It offers outstanding resistance to a wide range of highly corrosive situations, ranging from caustic to acidic. In fact, no other resin system can match Vi-Corr's performance in highly acidic environments. **Color:** orange or dark gray. **Flame spread:** ASTM E84 rating of 25 or less. **Certifications:** UL Classification available; DNV Type Approval No. F-16856; USCG Accepted; ABS Type Approval No. 01-HS34733-X).

- **IFR** - This isophthalic polyester fire-retardant resin formulation is designed for industrial and chemical processing applications where corrosion resistance is important. **Color:** green or dark gray. **Flame Spread:** ASTM E84 rating of 25 or less. **Certifications:** UL Classification available.

**New! New! New!** • **FGI-AM\*** - This improved food-grade isophthalic polyester resin system offers antimicrobial properties to inhibit the growth of mold on the surface of the composite to protect the product itself along with the necessary corrosion resistance to meet the requirements of the food and beverage industry. **Color:** light gray. **Flame Spread:** ASTM E84 rating of 25 or less. **Certifications:** USDA accepted.

- **CORVEX®** - An economy polyester grating, Corvex outperforms a number of competitive fiberglass and metal products and meets the requirements for corrosion resistance found in light industrial and water/wastewater applications. **Color:** yellow, dark gray or dark green. **Flame Spread:** ASTM E84 rating of 25 or less. **Certifications:** DNV Type Approval No. F-16856.

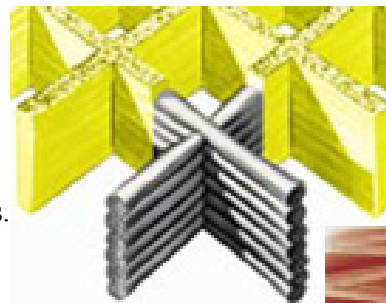
## Slip-resistant Surfaces

Slips and falls are the second leading cause of industrial accidents. According to the National Safety Council, each injury related lost work day can cost \$50,000 to \$100,000. That is why Fibergrate developed three slip-resistant surfaces for flooring and stair solutions. These surfaces include meniscus and applied grit tops in the Fibergrate resins and integral grit in the Chemgrate resins.

- **Super Vi-Corr®** - This family of resin systems consists of more than 30 custom formulas engineered to provide corrosion control solutions in applications that are too severe for conventional FRP and other building materials. Each Super Vi-Corr resin was engineered for the best possible performance in specific chemical and/or elevated temperature environments. These systems exist for aggressive chemical service in reagents like solvents, acidic oxidizers, chlorine dioxide, sodium hypochlorite and liquid desiccants. Certain formulas are also suited for elevated temperature applications up to 400° F. Super Vi-Corr gratings are typically used for packing hold-downs and support in environmental and process scrubber applications. **Color:** natural - tan to beige. **Flame Spread:** non fire retardant, unless specified.

- **XFR** - This extra fire-retardant vinyl ester resin is recommended for use where the fire potential is high. **Color:** dark gray. **Flame Spread:** ASTM E84 rating of 10 or less, a level exceeded by no other resin system. **Certifications:** DNV Type Approval No. F-16856.

- **ELS** - This Extremely Low Smoke resin is an acrylic-modified polyester system that is ideal for tunnel, offshore, mass transit and other confined space applications. ELS exhibits low ignitability, low smoke generation and extremely low smoke toxicity. **Color:** light gray. **Flame Spread:** ASTM E84 rating of 25, a smoke density index of 100 and Fuel Contribution of 0. **Certifications:** DNV Type Approval No. F-16856.



Applied Grit Top



Meniscus Top